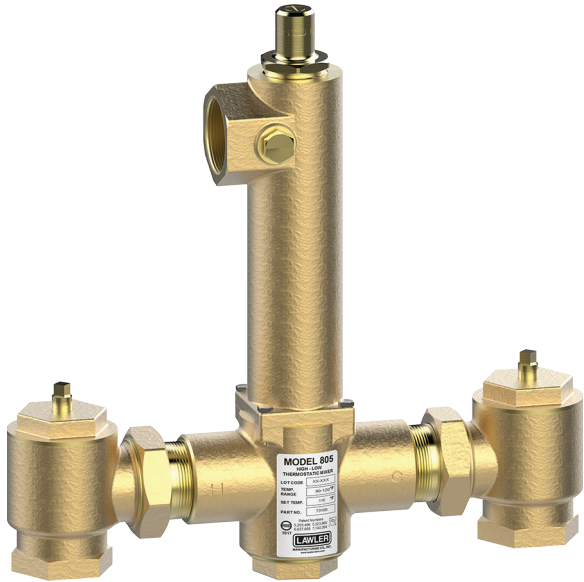


NOTICE! No mixing valve will work satisfactorily if improperly installed. We suggest, therefore, that you read these instructions carefully before installing and follow directions as outlined. Handle the mixing valve with care.

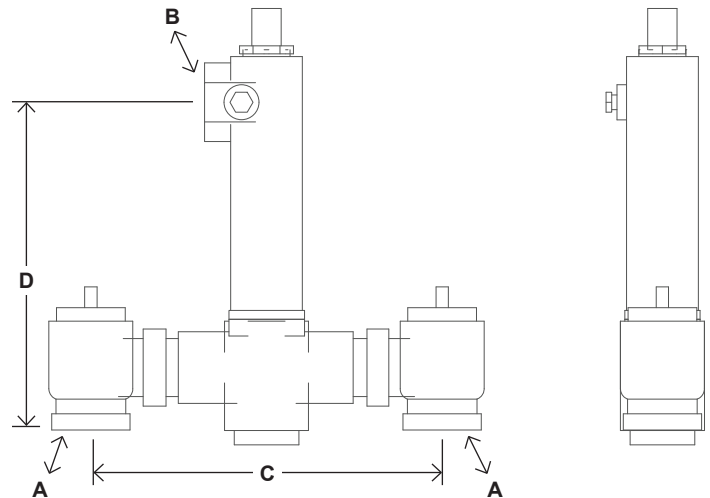


Model 805 Thermostatic Water Controller

CAPACITIES – MODEL 805

Pressure Drop PSI	5	10	20	30	45	60	80
Valve Number	Capacity						
805-GPM	64	96	133	165	200	230	265
805-LPM	242	363	503	624	757	870	1003

1/2 gpm when properly installed in recirculated system.



DIMENSIONS

Valve Number	A	N.P.T.	B	N.P.T.	C	D
805	2"		2"		15"	13-1/2"

Dimensions are for reference purposes only. For rough-in dimensions please refer to Lawler's Revit/BIM models found at temperedwater.com.

CAUTION: When maintaining and adjusting the mixing valve, all fixtures should be isolated from use. Lawler Manufacturing Co., Inc. recommends that you work safely at all times and in a manner consistent with the OSHA Lock/Tagout standard, 29 CFR 1910.147 and other applicable standards.

This installation & maintenance manual covers all configurations of the 801 including manifold recirculation systems, multiple valve systems and ARV systems.

Standard plumbing recommends that check valves be properly installed to prevent cross flow per ASSE 1017.

WARNING: This product contains chemicals known to the State of California to cause cancer and birth defects or other reproductive harm.

(Installer: California law requires that this warning be given to the consumer.) For more information: www.oehha.org/pro665

Performance

The Model 805 water temperature controller is carefully assembled and tested at the factory to mix hot and cold water to any desired temperature within range. The temperature of the hot water should be at least 20°F higher than the maximum valve setting. The major safety features are:

1. Failure of cold water supply causes the hot water ports to reduce hot water flow.
2. Failure of hot water supply causes the cold water ports to reduce cold water flow.
3. Failure of the thermostat allows both ports to reduce flow of hot and cold water.

At each inlet of the controller is a union end stop and check valve with removable strainer. Stop and check valves prevent water from bypassing between the hot and cold water supply lines. These valves should be fully open when in operation.

Maintenance

The controller should be checked periodically and, if needed, cleaned as outlined in "INSPECTION and CLEANING VALVE." To test for proper setting and operation - proceed as follows:

1. Turn on full hot and cold water to the valve. The mixing valve should deliver water at the outlet temperature stamped on the label. Standard setting is 110°F. If the outlet temperature is different than that shown on the label, readjust valve according to "TEMPERATURE ADJUSTMENT" procedure on page 2.
2. If after adjusting the outlet temperature the water stays below the set temperature, see "CHECKING COLD WATER SHUT-OFF." If the temperature stays above the set temperature, see "CHECKING HOT WATER SHUT-OFF."

Maximum Inlet Conditions

Pressure: 125 psi

Temperature: 200°F

Checking Cold Water Shut-Off

Turn on full hot and cold water supply to the valve, then shut off the hot water stop and check valve only. Cold water should flow through the controller momentarily then be reduced to a negligible amount.

Failure to do so indicates that:

- a. Plunger is sticking and requires cleaning or replacement.
- b. Spring #13 has lost its strength and should be replaced.

Lack of water flow can be normal on the first test if the temperature of the cold water is below 75°F. A quick test is to momentarily turn on the hot water to warm the thermostat. If flow then starts, the thermostat is good; failure to obtain flow when first starting, or when valve is cold, is a normal reaction.

Checking Hot Water Shut-Off

Allow full hot and cold water to flow through the valve for one minute. Shut off the cold water stop and check valve only. The hot water should be reduced to a negligible amount.

Failure to do so will indicate:

- a. The hot water supply is not 20°F above the required maximum temperature setting.
- b. The plunger is sticking and requires cleaning or replacement.

Inspection and Cleaning Valve

Shut off the hot and cold water supply to the controller. Remove bonnet #19. To replace pusher O-ring #18, remove pusher #21 from bonnet #19 and replace O-ring. Reassemble in reverse order.

With the bonnet assembly off the valve, remove thermostat #22 and check and clean (see fig. A). Unscrew bottom plug #14 and remove valve spring #13 and plunger #12 (see fig. C). If the assembly does not slide out, remove the plunger with liner #11 and gently tap plunger until it becomes free. Clean and polish the liner and plunger with very fine emery cloth until plunger moves freely in the liner.

With the liner out of the valve, replace liner O-ring #10.

If the piston or liner is nicked or shows signs of excessive wear, it should be replaced.

Resetting the Mixing Valve

After repairing or cleaning the mixing valve, a "reset" may need to occur when setting the mixing valve. In order to reset the mixing valve, turn off the recirculation pump, create demand on the valve that is more than the rated minimum flow of the mixing valve and insert the 5/32 allen key in the set screw. Turn the set clockwise until you feel and hear the set screw click a couple of times. At this point, start turning the set screw counter clockwise until desired outlet temperature is reached.

Temperature Adjustment

Valves are normally factory set for a maximum 110°F outlet temperature, or that stamped on the label. If it is desired to change this setting, proceed as follows:

While allowing water to flow through the controller:

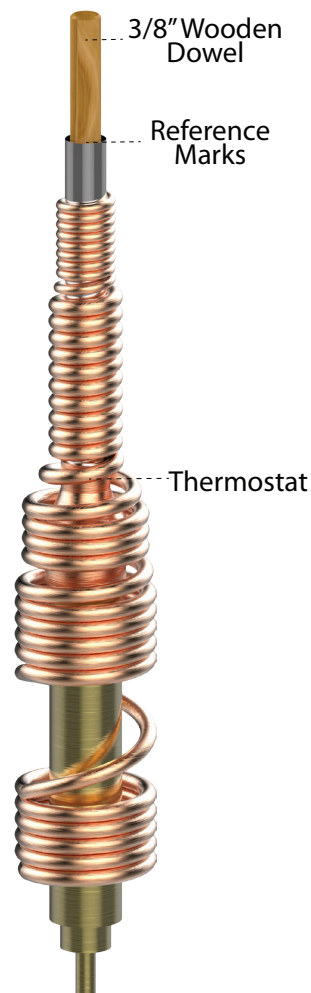
1. Remove screw #1.
2. With a 5/32 allen key, turn adjusting screw #2 counterclockwise to increase temperature or clockwise to decrease temperature.
3. When temperature is correct, replace screw #1.

If outlet temperature desired is 15°F or more higher than that stamped on the label, contact the factory or a representative for a special thermostat.

CAUTION: The liner and plunger cannot be dropped. Please handle carefully. The liner must be inserted correctly. Carefully examining the outside of the liner will reveal a very small difference in diameter between the upper half and the lower half. On reassembly, the smaller diameter must be inserted first through bottom plug opening.

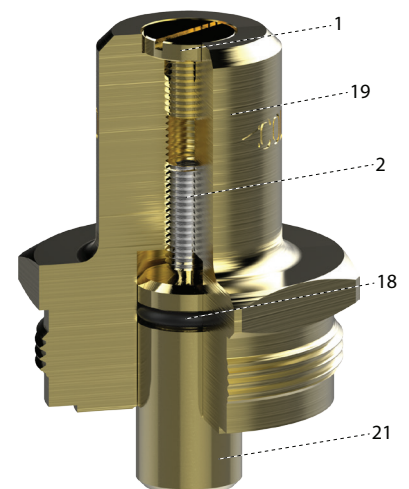
Testing the Thermostat

Figure A



1. Place a 3/8" wooden dowel rod into center of thermostat then place in 85°F water. Make a reference mark on the rod as shown in fig. A.
2. Now insert thermostat into hot water that is at least 20°F higher than the set temperature stamped on label.
3. The rod should move out of the thermostat approximately 1/8". If the rod shows no movement or can be pushed inward, a new thermostat is required.

Figure B



Model 805 Cut-away

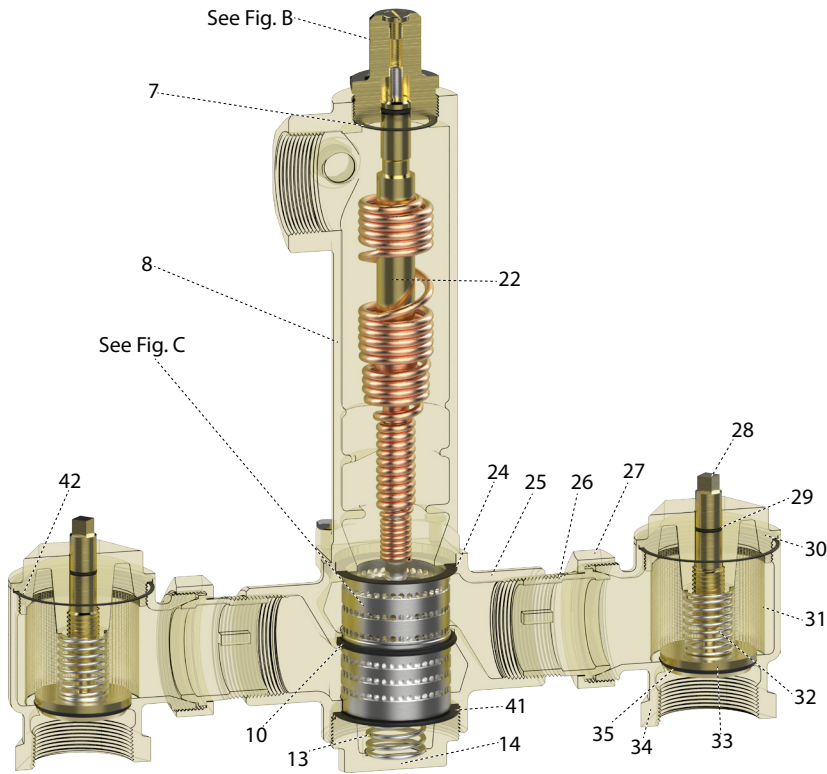


Figure B

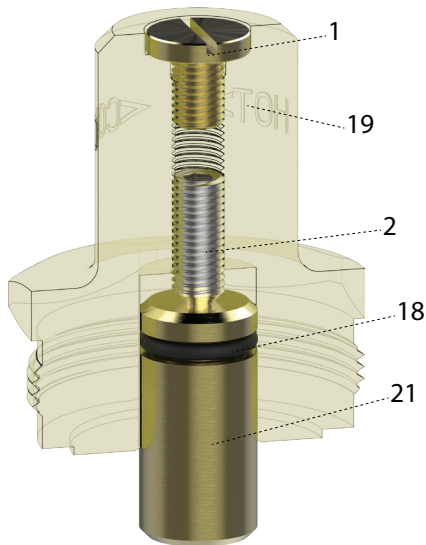
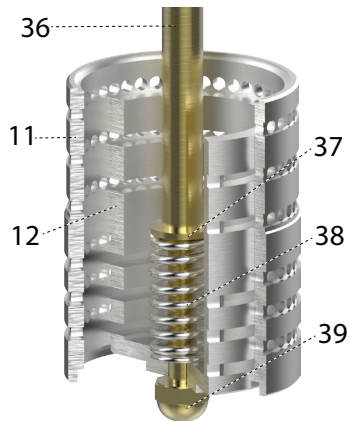


Figure C



Repair Parts

Item	Description	Part No.
1	Screw	7628-00
2	Adjusting Screw	8237-00
7	Bonnet Gasket	—
8	Dome	—
10	Liner O-Ring	—
11	Liner	—
12	Plunger	—
12a	Piston Liner Assembly	Figure C*
13	Valve Spring	—
14	Bottom Plug	—
18	Pusher O-Ring	—
19	Bonnet	—
21	Pusher	—
22	Thermostat	—
23	Body Screw (NS)	—
24	Liner Gasket, Upper	—
25	Valve Body	—
26	Tailpiece	—
27	Union Nut	—
28	Stop & Check Stem	—
29	S & C Stem O-Ring	—
30	S & C Bonnet	—
31	Strainer	—
32	S & C Spring	—
33	Shutoff Disc Assembly	—
34	S & C Body	—
35	Seat O-Ring	—
36	Pushrod	—
37	Spring Retainer	—
38	Relief Spring	—
39	Acorn Nut	—
40	Nameplate (NS)	—
41	Liner Gasket, Lower	—
42	S & C Gasket	—

(NS) - Not Shown

*Only available as assembly

Repair Kits and Assemblies

Item	Description	Contains	Part No.
1	Complete Repair Kit	7, 10, 12a, 13, 18, 22, 24, 31, 32, 35	79978-02
2	Piston & Liner Assembly	10, 11, 12a, 24, 41	71946-16
3	Stop & Check Repair Kit	28, 29, 31, 32, 33, 35	79911-02
4	Thermostat Repair Kit	7, 22	72911-11
5	Bonnet Assembly	1, 2, 18, 19, 21	71965-11
6	O-Ring & Gasket Kit	7, 10, 18, 24, 29, 35, 41, 42	79830-05

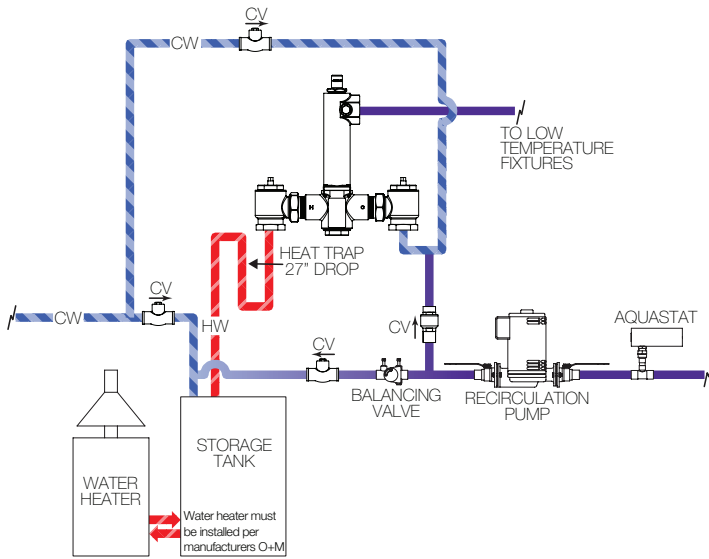
Typical Installation

Install the mixing valve below the hot water tank or heater. If this is not possible, pipe in a heat trap as shown in Figure 1 with an approximate 2' drop.

Connect a tempered water return line as shown in Figure 1. This allows flow through both ports of the mixing valve during periods of no draw.

Figure 1

When used in a single temperature recirculating system



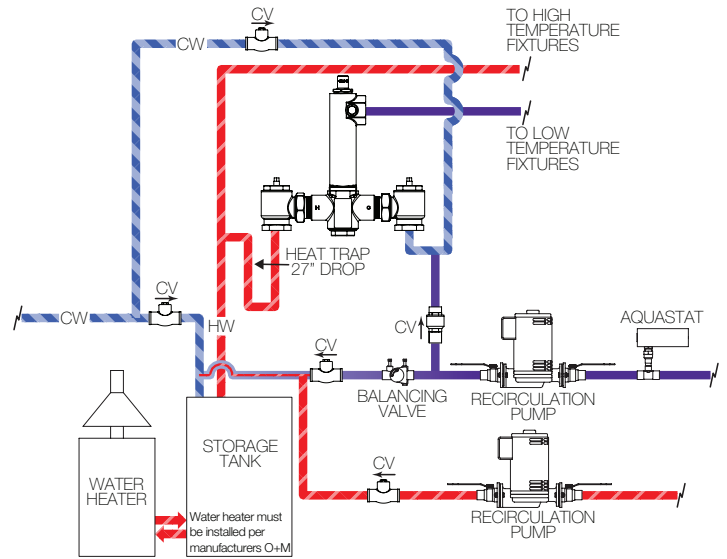
If a dual temperature system is used, a separate recirculating loop and pump are required to return high temperature hot water to the water heater. See Figure 2.

Install an aquastat at the tempered water return pump.

Install the water heater per manufacturer's instructions.

Figure 2

When used in a dual temperature recirculating system



Setting The Mixing Valve To The System

1. After installations be sure to flush the system thoroughly.
2. Make sure the hot water supply is heated to normal design temperature.
3. Close and tag all fixtures to ensure they are not used during this procedure.
4. Turn off the recirculating pump.
5. Create a draw on the system greater than the minimum flow rating of the mixing valve. All open fixtures must be tagged to ensure they are not tampered with or used during this procedure.
6. Allow water to flow through the mixing valve until the water temperature is stable. If necessary, readjust the mixing valve in accordance with the TEMPERATURE ADJUSTMENT section of the installation manual.
7. Once the temperature is set, start the recirculating pump and allow the system to reach set temperature.
8. Measure the water temperature at the return pump and adjust the aquastat to shut off the pump should the return water exceed the set point by 2 degrees F. Set the low limit switch to restart the return pump when return water drops 5 degrees F below the set temperature.
9. Set the balancing valve in the full open position.
10. Shut off all fixtures and ensure there is no draw on the system. The cold inlet to the mixing valve should be warm.
11. Allow the system to run in this condition for at least 30 minutes.
12. In some cases, an increase in water temperature may occur during a no draw period. If this occurs, slowly close the balancing valve until the water temperature is back to the original set temperature.

GUARANTEE

We guarantee the Lawler Mixing Valve to be free from defects in workmanship and material, and for a period of one year from date of purchase, will replace any parts found by us to be defective. We will not be held responsible, however, for any labor incidental to, or for any damages caused by defective material. Each mixing valve is thoroughly inspected and tested under actual conditions at our factory.