



**Series 4000
Exposed Thermostatic
Mixing Valve
Eng. No. 72306 (1/2")
Eng. No. 72316 (3/4")**

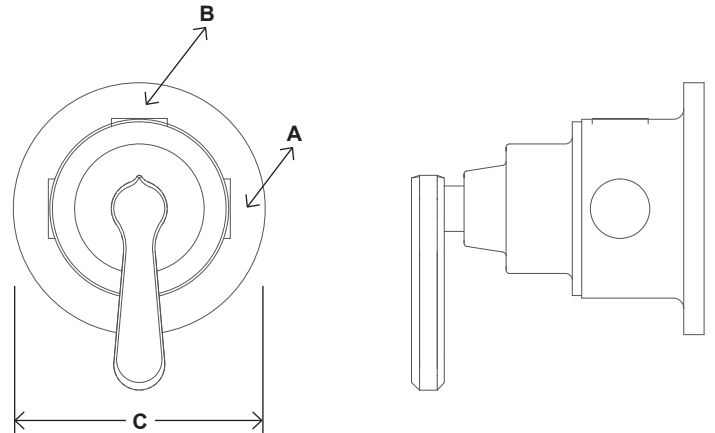
CAPACITIES – GPM SERIES 4000

Pressure Drop PSI	5	10	20	30	45
Valve Size	Capacity – GPM				
1/2"	2-1/2	3-1/2	5-1/2	8	10
3/4"	5	8	10-1/2	15	20

Exposed mixing valve shall be of the thermostatic type with liquid-filled motor. It shall have lead free brass body construction with replaceable corrosion-resistant components. Valve construction shall employ a sliding piston control mechanism. Piston and liner shall be of stainless steel material. Piped and cabinet assemblies which have a down stream shut-off device shall include union end stop and check valves with removable strainer on each inlet.

Unit is completely assembled as shown.

Units specified as polished chrome shall be polished chrome on all external surfaces. ADA compliant



DIMENSIONS

Valve Number	A	B	C
1/2"	1/2"	1/2"	4-1/2"
3/4"	3/4"	3/4"	5"

Dimensions are for reference purposes only. For rough-in dimensions please refer to Lawler's Revit/BIM models found at temperedwater.com.

FINISH: Brass
Rough Chrome
Other

TEMP. RANGE **SET POINT**

50° to 100°F 80°F
85° to 135°F 110°F
100° to 150°F 130°F
Special _____