

# Model 310-SC1 Thermostatic Mixing Valve Eng. No. 73046 (1/2") Eng. No. 73049 (3/4")

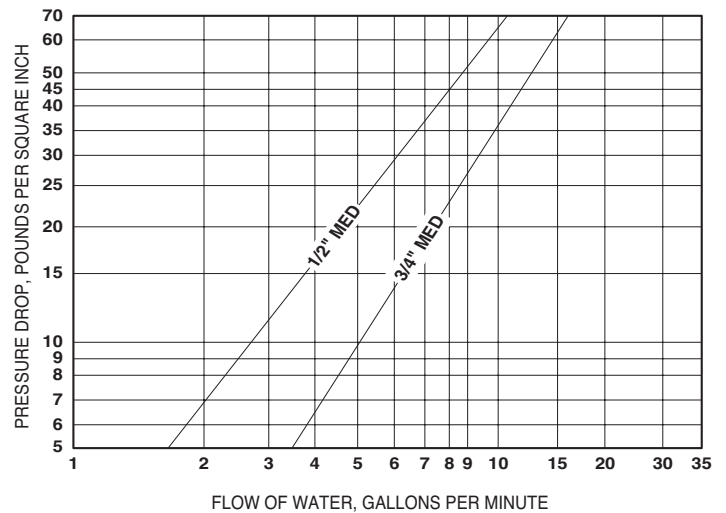
## CAPACITIES – MODEL 310

Pressure Drop PSI	5	10	20	30	45
<b>Valve Number</b>	<b>Capacity</b>				
<b>310-1/2" GPM</b>	1.5	2.5	3.5	5.5	7
<b>310-1/2" LPM</b>	5.7	9.5	13.3	20.8	26.5
<b>310-3/4" GPM</b>	3.5	5.5	8	10	12
<b>310-3/4" LPM</b>	13.3	20.8	30	38	45

The master controller shall be of the thermostatic type with liquid-filled motor. The controller shall maintain the set point temperature during periods of fluctuating inlet pressures and temperatures. Valve construction will include a lead free brass body and replaceable corrosion-resistant components. The piston and liner are stainless steel. The mixing valve shall employ an adjustable setpoint range and high temperature limit stop. Each unit will be equipped with stop and check valves for each inlet and includes a dial thermometer.

For higher capacity needs, the 310 is available with a 1/2" NPT inlet and 3/4" NPT outlet.

FLOW CAPACITIES SINGLE STAGE - SERIES 310

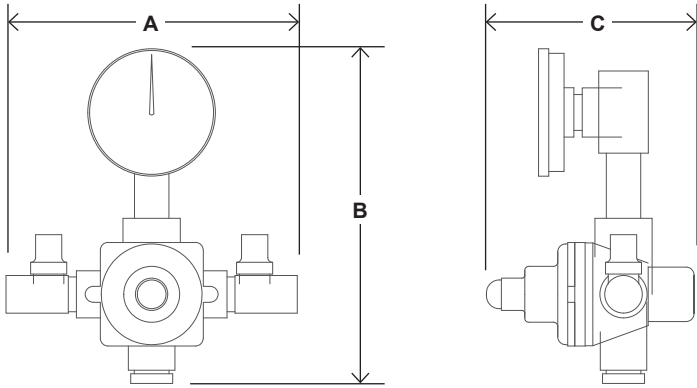


**FINISH:** Brass   
Rough Chrome   
Other

**OUTLET:** 1/2" NPT   
3/4" NPT

**TEMP. RANGE**      **SET POINT**

50° to 100°F      80°F   
85° to 135°F      110°F   
100° to 150°F      130°F   
Special \_\_\_\_\_



**Model 310-SC1**  
**Eng. No. 73046 (1/2")**  
**Eng. No. 73049 (3/4")**

**Typical Installation**

Install the mixing valve below the hot water tank or heater. If this is not possible, pipe in a heat trap as shown in Figure 1 with an approximate 2' drop.

Connect a tempered water return line as shown in Figure 1. This allows flow through both ports of the mixing valve during periods of no draw.

Install an aquastat at the tempered water return pump.

Install the water heater per manufacturer's instructions.

**DIMENSIONS**

Valve Number	A	B	C
310	7"	8"	5"

Dimensions are for reference purposes only. For rough-in dimensions please refer to Lawler's Revit/BIM models found at [temperedwater.com](http://temperedwater.com).

Inlets are 1/2" NPT, outlet may be 1/2" or 3/4" NPT.

**Figure 1**

