



# Series 61 Thermostatic Water Controller Eng. No. 84011

### CAPACITIES – GPM SERIES 61

Pressure Drop PSI	5	10	20	30	45	60	80
Valve Number	Capacity – GPM						
61-10	2.5	3.5	5.5	8	10	12	14
61-15	3.5	5.5	8.5	11	15	18	20
61-25	6	10	14	18	25	30	34

1/4 gpm when properly installed in recirculated system.

### CAPACITIES – LPM SERIES 61

Pressure Drop PSI	5	10	20	30	45	60	80
Valve Number	Capacity – LPM						
61-10	9.4	13.2	22.8	30.3	37.8	45.4	53
61-15	13.2	20.8	32	41.6	56.7	68	75.7
61-25	22.7	37.8	53	68	94.6	113	128

Minimum flow for 61-10 & 61-15 is 1/2 Gallon Per Minute  
Minimum flow for 61-25 is 1 Gallon Per Minute

Exposed mixing valve shall be of the thermostatic type with liquid-filled motor. In the event of interruption of hot or cold water supply or thermostat failure, the valve shall be designed to restrict flow by use of a sliding piston control mechanism with reverse seat closure. The valve shall maintain output temperature for changes in inlet pressures or temperature. Valve construction shall have lead free brass body and stainless steel piston and liner.

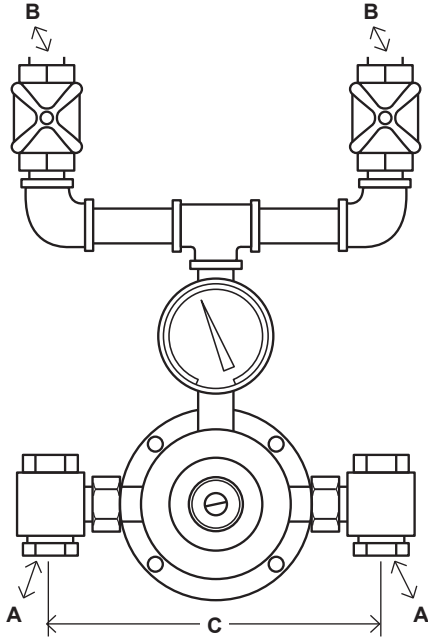
Unit is completely assembled as shown. Includes dial thermometer and two valved tempered water outlets.

Piped and cabinet assemblies which have a downstream shutoff device shall include union end stop and check valves with removable strainer on each inlet.

**FINISH:** Brass   
Rough Chrome   
Other

**VALVE:** 1/2"   
3/4"

TEMP. RANGE	SET POINT	
50° to 100°F	80°F	<input type="checkbox"/>
85° to 135°F	110°F	<input type="checkbox"/>
100° to 150°F	130°F	<input type="checkbox"/>
Special _____	_____	<input type="checkbox"/>



## Series 61 Eng. No. 84011

### Typical Installation

Install the mixing valve below the hot water tank or heater. If this is not possible, pipe in a heat trap as shown in Figure 1 with an approximate 2' drop.

Connect a tempered water return line as shown in Figure 1. This allows flow through both ports of the mixing valve during periods of no draw.

Install an aquastat at the tempered water return pump.

Install the water heater per manufacturer's instructions.

### DIMENSIONS

Valve Number	A N.P.T.	B N.P.T.	C
61-10	1/2"	1/2"	8-1/2"
61-15	1/2"	1/2"	8-1/2"
61-25	3/4"	3/4"	8-5/8"

Dimensions are for reference purposes only. For rough-in dimensions please refer to Lawler's Revit/BIM models found at [temperedwater.com](http://temperedwater.com).

**Figure 1**

