



MANUFACTURING CO., INC.

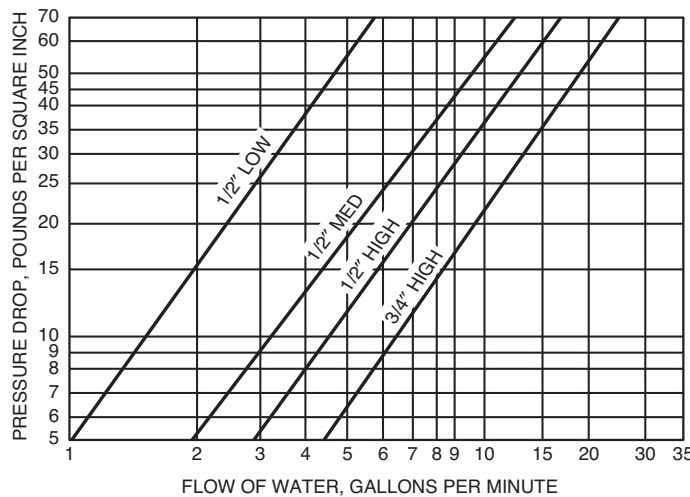
5330 East 25th Street  
Indianapolis, Indiana 46218  
Phone (317) 261-1212  
Fax (317) 261-1208

# Thermostatic Valve

Thermostatically-controlled mixing valve with acrylic handle.

## Model # 9600

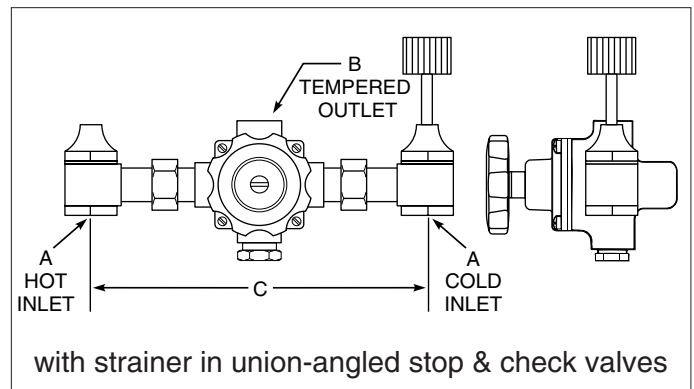
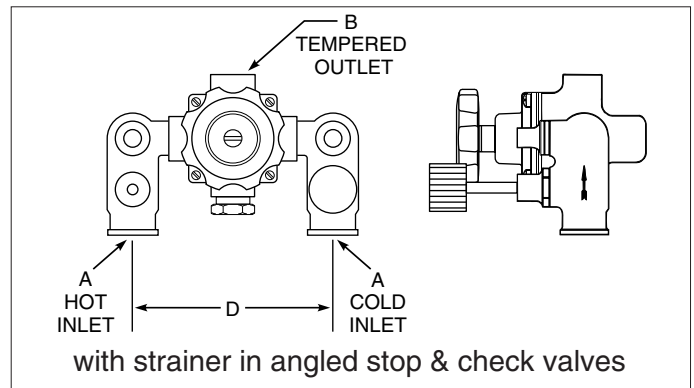
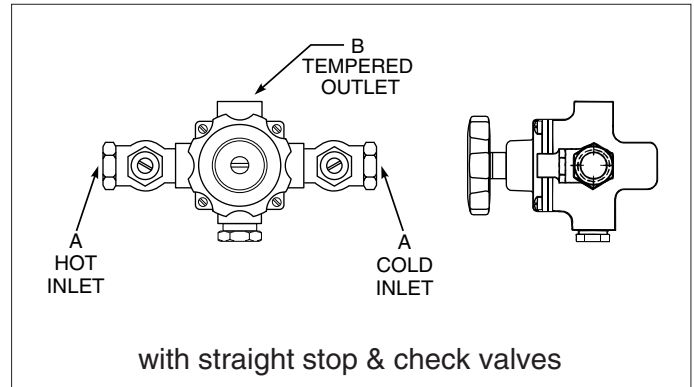
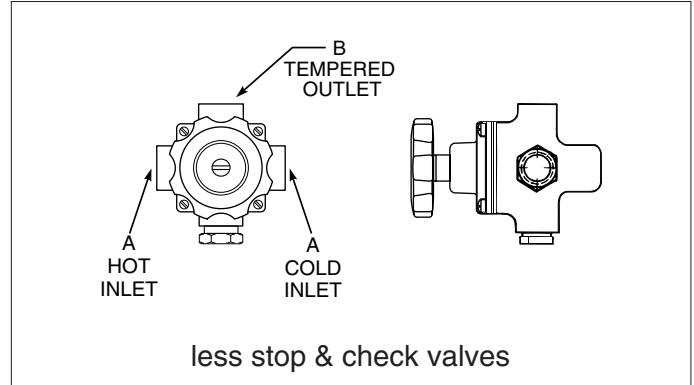
The Lawler thermostatically-controlled mixing valve has a solid liquid-filled thermostat. The valve has bronze body construction with replaceable corrosion-resistant components. The piston and liner are constructed of stainless steel material. The mixing valve has integral shut-off and is adjustable from cold to 105°F unless otherwise specified. The valve employs an adjustable temperature limit stop.



A N.P.T.	B N.P.T.	C	D
1/2"	1/2"	8 1/2"	5 1/2"
3/4"	3/4"	10 1/4"	NA

## OPTIONS

- Suffix VR – Vandal-resistant handle screw
- Prefix H – High flow
- Prefix M – Standard flow
- Prefix L – Low flow



Design and specification subject to change without notice.