



MANUFACTURING CO., INC.

5330 East 25th Street
Indianapolis, Indiana 46218
Phone (317) 261-1212
Fax (317) 261-1208

www.lawlervalve.com

DATA SHEET

Eng. # 3000-B



ASSE 1016 Approved

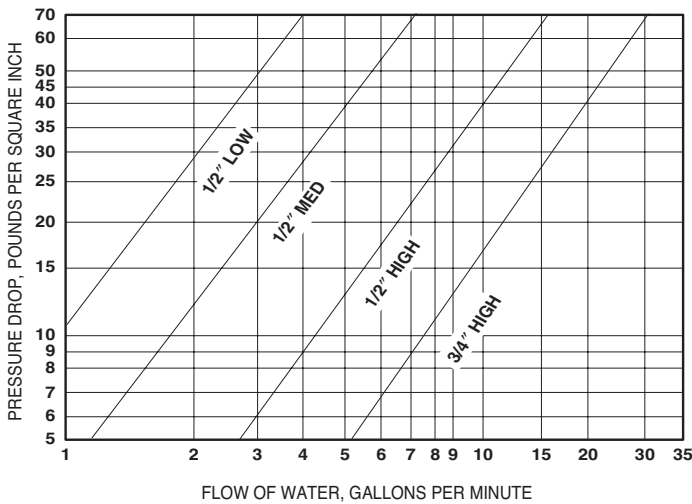
Thermostatic Valve

Thermostatically-controlled mixing valve with lever handle.

Model # 3000

The Lawler thermostatically-controlled mixing valve has a solid liquid-filled thermostat. The valve has bronze body construction with replaceable corrosion resistant components. The piston and liner are constructed of stainless steel material. The mixing valve has integral shut-off and is adjustable from cold to 115°F unless otherwise specified. The valve employs an adjustable temperature limit stop.

FLOW CAPACITIES SINGLE STAGE - SERIES 3000 3500 3800 & 3900



* Standard valve is 1/2" medium flow

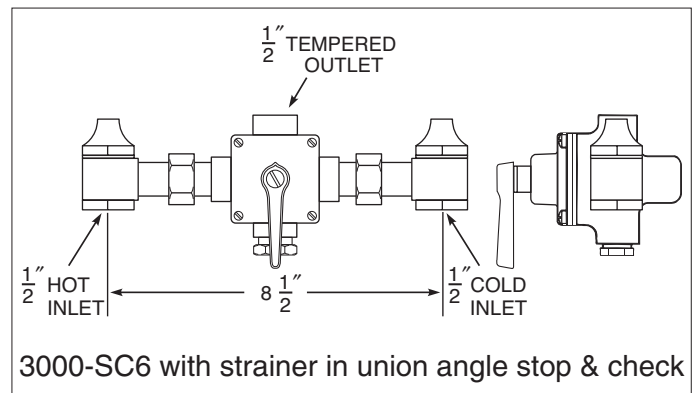
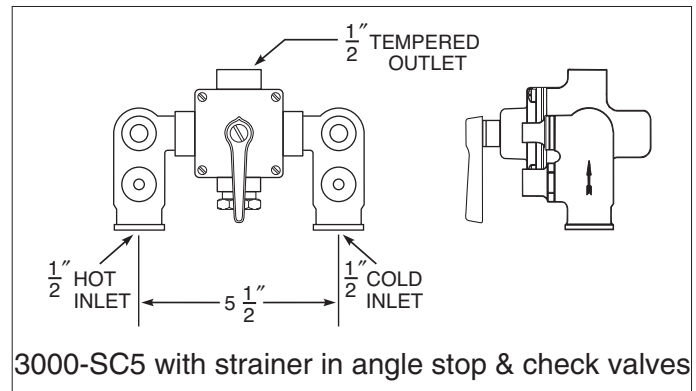
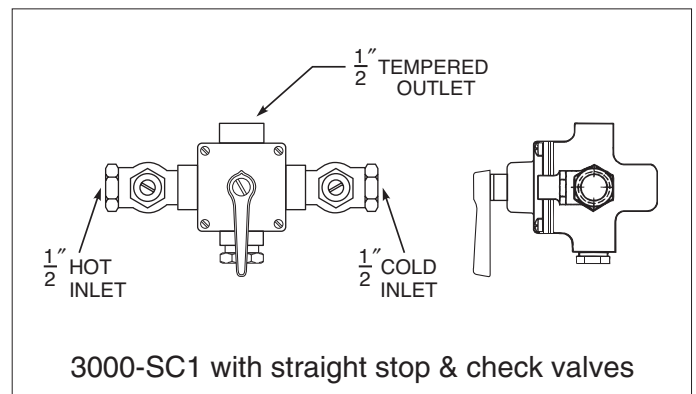
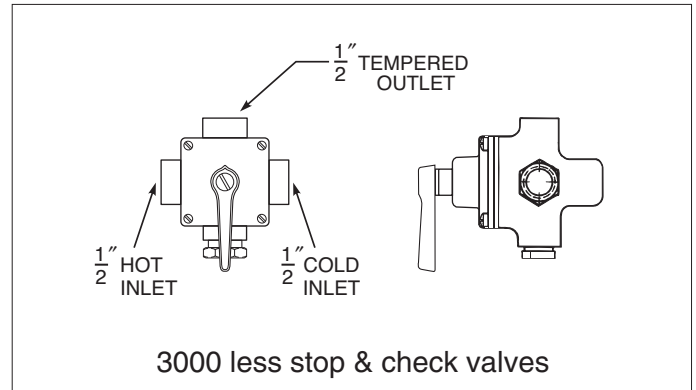
OPTIONS

Suffix VR – Vandal resistant handle screw

Prefix H – High flow

Prefix M – Standard flow

Prefix L – Low flow



Design and specification subject to change without notice.

DATA3000x