

# Model 911®EF ETS

www.temperedwater.com

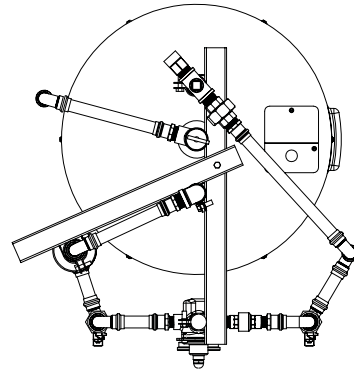
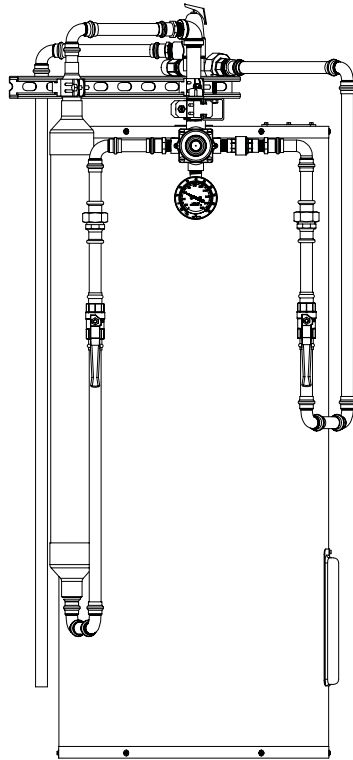
**DATA SHEET**

ENG. NO. 87300-A

## Emergency Tempering System for Eye/Face Wash Equipment

Unit No. 87300

ASSE Lead Free Certified



Dimensions: [inches]	Height	Width
	27	56

The 911EF Emergency Tempering System shall consist of a water heater storage tank and 120V 20AMP heating element. The EF Emergency Tempering System shall incorporate an emergency mixing valve capable of controlling outlet temperature over a wide range of demand requirements. The mixing valve shall employ a liquid-filled thermostatic motor and a stainless steel sliding piston control device. The valve shall offer positive hot water shut-off in the event of cold water supply loss and full flow cold water bypass in the event of hot water supply loss or thermostatic failure. The system shall also incorporate a device capable of flattening temperature spike through the system as well as a heat trap to prevent heat migration to the cold side of the mixing valves.

Unit supplied complete with pre-piped 40 gallon storage tank, 120V 20AMP heating element, patented accumulator, a 911EF Emergency Mixing Valves. The hot water tank is UL listed, heating element is CSA approved.

### Options

#### Eye/Face Wash Equipment

- Stingray S2000
- Other, please specify \_\_\_\_\_

#### Cold water filter

- Please specify \_\_\_\_\_
- Nema 7 rated box-Explosion proof.  
Please call factory for pricing.

Special tank or power requirements, please contact factory.



**MANUFACTURING CO., INC.**

5330 East 25th Street  
Indianapolis, Indiana 46218  
Phone (317) 261-1212  
Fax (317) 261-1208

Design and specification subject to change without notice.