

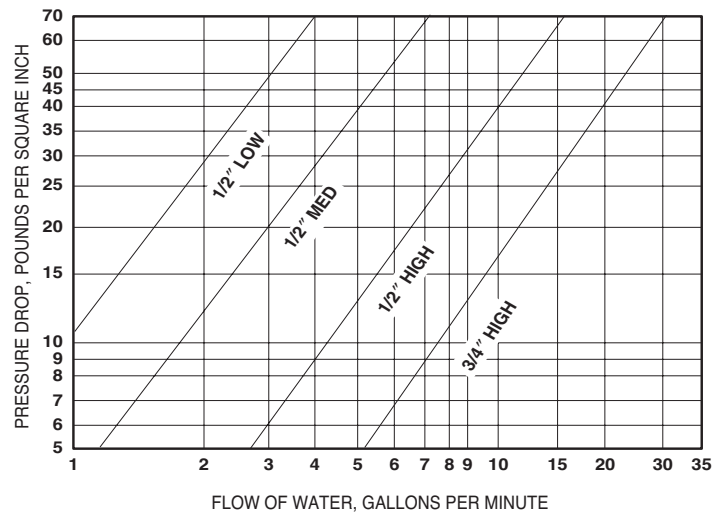
Model 3500 Concealed Thermostatic Shower Valve Eng. No. 72047 (1/2" & 3/4")

Concealed thermostatically-controlled mixing valve with satin chrome trim and lever handle.

The Lawler thermostatically-controlled mixing valve has a solid liquid-filled thermostat. The valve has lead free brass body construction with replaceable corrosion resistant components. The piston and liner are constructed of stainless steel material. The mixing valve has integral shut-off and is adjustable from cold to 115°F unless otherwise specified. The valve employs an adjustable temperature limit stop.

The wall trim faceplate and handle are of solid brass with a polished chrome finish. ADA compliant

FLOW CAPACITIES SINGLE STAGE - SERIES 3000 3500 3800 & 3900

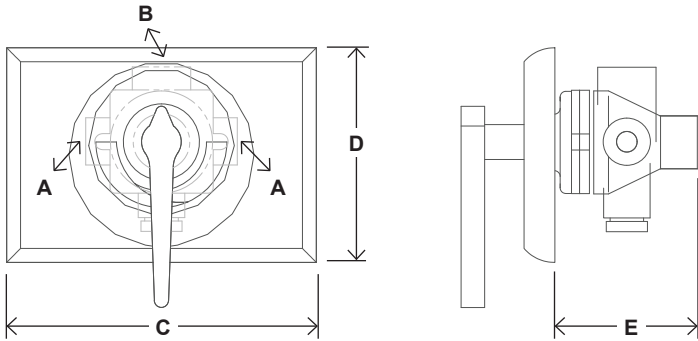


Standard valve is 1/2" medium flow

OPTIONS:

- Suffix VR – Vandal resistant handle screw
- Prefix H – High flow 4-10 GPM
- Prefix M – Standard flow 1-5 GPM
- Prefix L – Low flow 1/2 – 2-1/2 GPM

3500 less stop & check valves



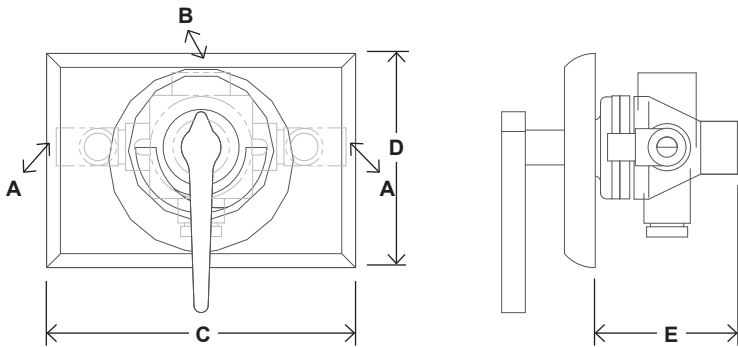
Model 3500
Eng. No. 72047
(1/2" & 3/4")

DIMENSIONS

Valve Number	A	N.P.T.	B	N.P.T.	C	D	E
3500	1/2"		1/2"		7-1/2"	5-1/8"	3-1/2"

Dimensions are for reference purposes only. For rough-in dimensions please refer to Lawler's Revit/BIM models found at temperedwater.com.

3500-SC1 with straight stop & check valves

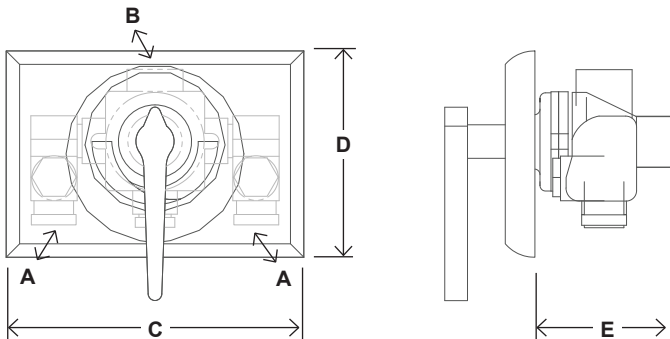


DIMENSIONS

Valve Number	A	N.P.T.	B	N.P.T.	C	D	E
3500-SC1	1/2"		1/2"		7-1/2"	5-1/8"	3-1/2"

Dimensions are for reference purposes only. For rough-in dimensions please refer to Lawler's Revit/BIM models found at temperedwater.com.

3500-SC5 with strainer in angle check valves



DIMENSIONS

Valve Number	A	N.P.T.	B	N.P.T.	C	D	E
3500-SC5	1/2"		1/2"		7-1/2"	5-1/8"	3-1/2"

Dimensions are for reference purposes only. For rough-in dimensions please refer to Lawler's Revit/BIM models found at temperedwater.com.