



# Model 803 Thermostatic Water Controller High-Low Water Mixer Eng. No. 86206

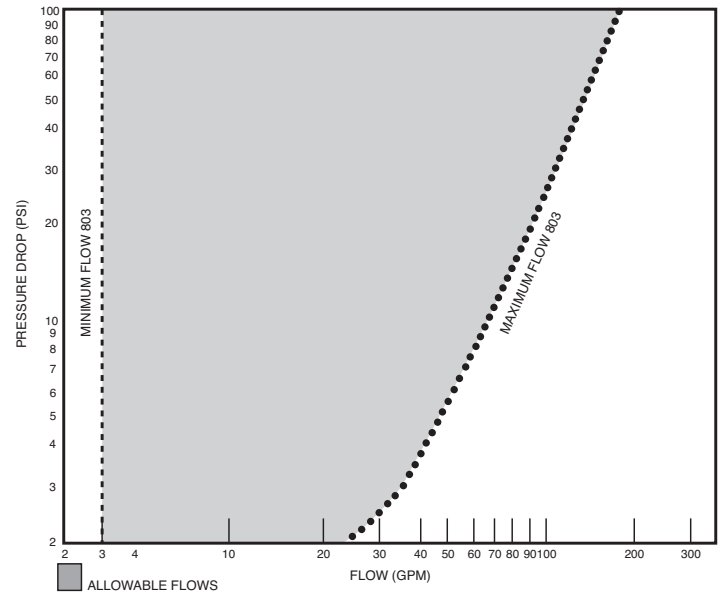
## CAPACITIES – MODEL 803

Pressure Drop PSI	5	10	20	30	45	60	80
<b>Valve Number</b>	<b>Capacity</b>						
<b>803-GPM</b>	43	60	85	103	125	144	165
<b>803-LPM</b>	163	227	322	390	473	545	624

1/2 gpm when properly installed in recirculated system.

Master water mixing valve shall be of the thermostatic type with liquid-filled thermal motor. It shall have lead free brass body construction with replaceable corrosion-resistant components. Valve construction shall employ a sliding piston control mechanism. Sliding piston and liner shall be of stainless steel material. Valve shall come equipped with union end stop and check inlets with removable stainless steel strainers. Valve shall control temperature from a low flow of 3 GPM\* up to a maximum flow rate for a given pressure differential. Valve shall provide protection against hot or cold supply line failure and thermostat failure.

Unit includes a dial thermometer and shut-off valve on tempered water outlet. Unit is assembled and tested with necessary fittings and nipples. Cabinet is shipped separately.



- FINISH:** Brass   
Rough Chrome   
Other

- | TEMP. RANGE   | SET POINT |                          |
|---------------|-----------|--------------------------|
| 70° to 100°F  | 80°F      | <input type="checkbox"/> |
| 90° to 120°F  | 110°F     | <input type="checkbox"/> |
| 110° to 140°F | 130°F     | <input type="checkbox"/> |
| Special _____ | _____     | <input type="checkbox"/> |

- Optional Test Connection**   
Including garden hose connection, shut-off and thermometer.
- Brass   
Rough Chrome

### CABINET SPECIFICATIONS:

- |           | STAINLESS                  | CARBON STEEL         |
|-----------|----------------------------|----------------------|
| Body:     | 18 Ga.                     | 16 Ga.               |
| Door:     | 18 Ga.                     | 16 Ga.               |
| Material: | Type 304 with No. 4 Finish | Baked enamel painted |

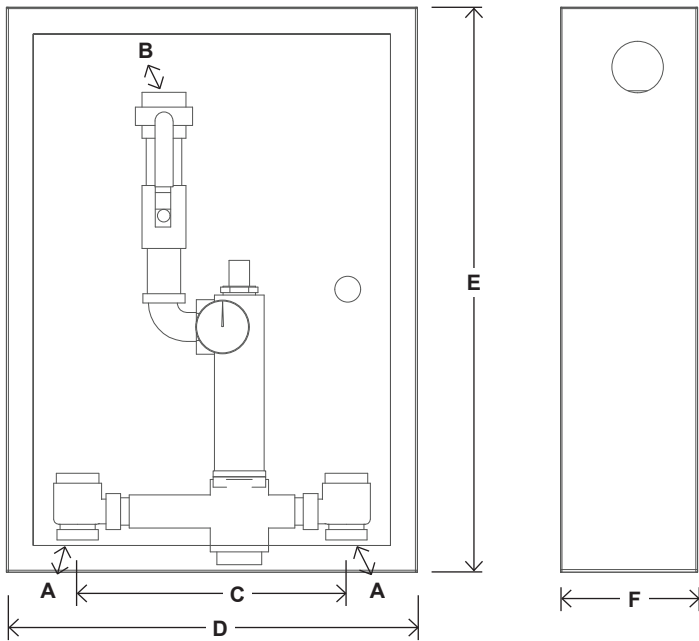
### TYPE OF CABINET

- Recessed   
Semi-Recessed   
Surface

### MATERIAL

- Stainless   
Carbon Steel   
Carbon Steel Box, Stainless Door

Cabinet includes lock with two keys. Hinged left side, piano type. For specifications on security cabinets, contact factory.



**DIMENSIONS**

Valve Number	A	N.P.T.	B	N.P.T.	C	D	E	F
803	1-1/4"		1-1/2"		12-3/4"	12-1/2"	33"	8"

Dimensions are for reference purposes only. For rough-in dimensions please refer to Lawler's Revit/BIM models found at [temperedwater.com](http://temperedwater.com).

**Model 803  
Eng. No. 86206**

**Typical Installation**

Install the mixing valve below the hot water tank or heater. If this is not possible, pipe in a heat trap as shown in Figure 1 with an approximate 2' drop.

Connect a tempered water return line as shown in Figure 1. This allows flow through both ports of the mixing valve during periods of no draw.

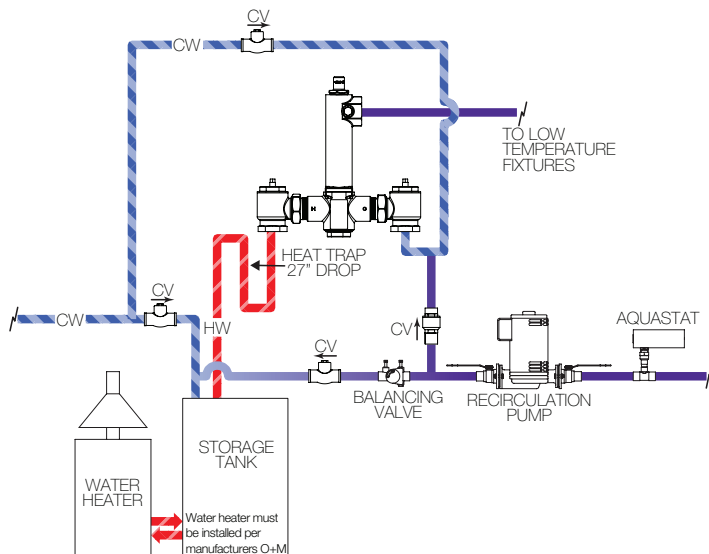
If a dual temperature system is used, a separate recirculating loop and pump are required to return high temperature hot water to the water heater. See Figure 2.

Install an aquastat at the tempered water return pump.

Install the water heater per manufacturer's instructions.

**Figure 1**

**When used in a single temperature recirculating system**



**Figure 2**

**When used in a dual temperature recirculating system**

