



Model 911[®]E ETS Emergency Tempering System for Combination Emergency Shower and Eyewash Equipment Eng. No. 87200

The Emergency Tempering System shall consist of a water heater storage tank and 120V 20AMP heating element. The Emergency Tempering System shall incorporate 2 emergency mixing valves capable of controlling outlet temperature over a wide range of flows and employ a liquid-filled thermostatic motor and a stainless steel sliding piston control device. The valves shall offer positive hot water shut-off in the event of cold water supply loss and full flow cold water bypass in the event of hot water supply loss or thermostatic failure. The system shall also incorporate a device capable of flattening temperature spike through the system as well as a heat trap to prevent heat migration to the cold side of the mixing valve.

Unit supplied complete with pre-piped 118 gallon storage tank, 120V 20 AMP heating element, Lawler accumulator (patent pending), 911[®]E and 911[®]E/F Emergency Mixing Valves. Approximate weight empty = 600 lbs.

The hot water tank is UL listed, heating element is CSA approved and the housing has a Nema #1 rating.

For specifications on mixing valves, please refer to submittal data sheet Eng. No. 8429 and Eng. No. 84907.

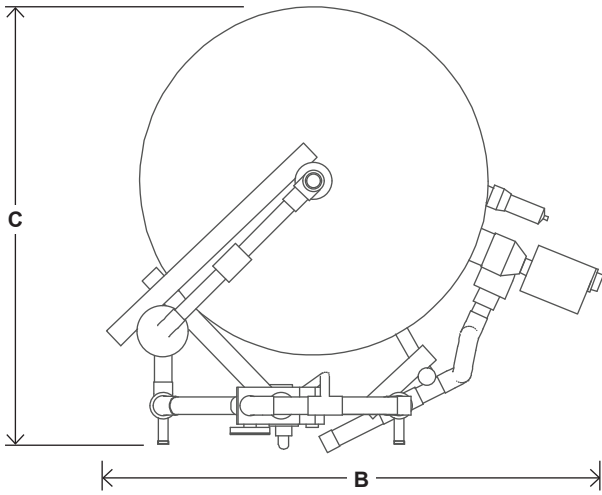
OPTIONS:

Combination Shower and Eyewash Equipment

- Stingray S 5510/5515
- Nema 7 rated box, explosion proof
Please call factory for pricing
- Nema 4 rated box, water proof

Special tank or power requirements are available, please contact factory.

Model 911[®]E ETS Eng. No. 87200



DIMENSIONS

A	B	C
75"	45"	36"

Dimensions are for reference purposes only. For rough-in dimensions please refer to Lawler's Revit/BIM models found at temperedwater.com.

